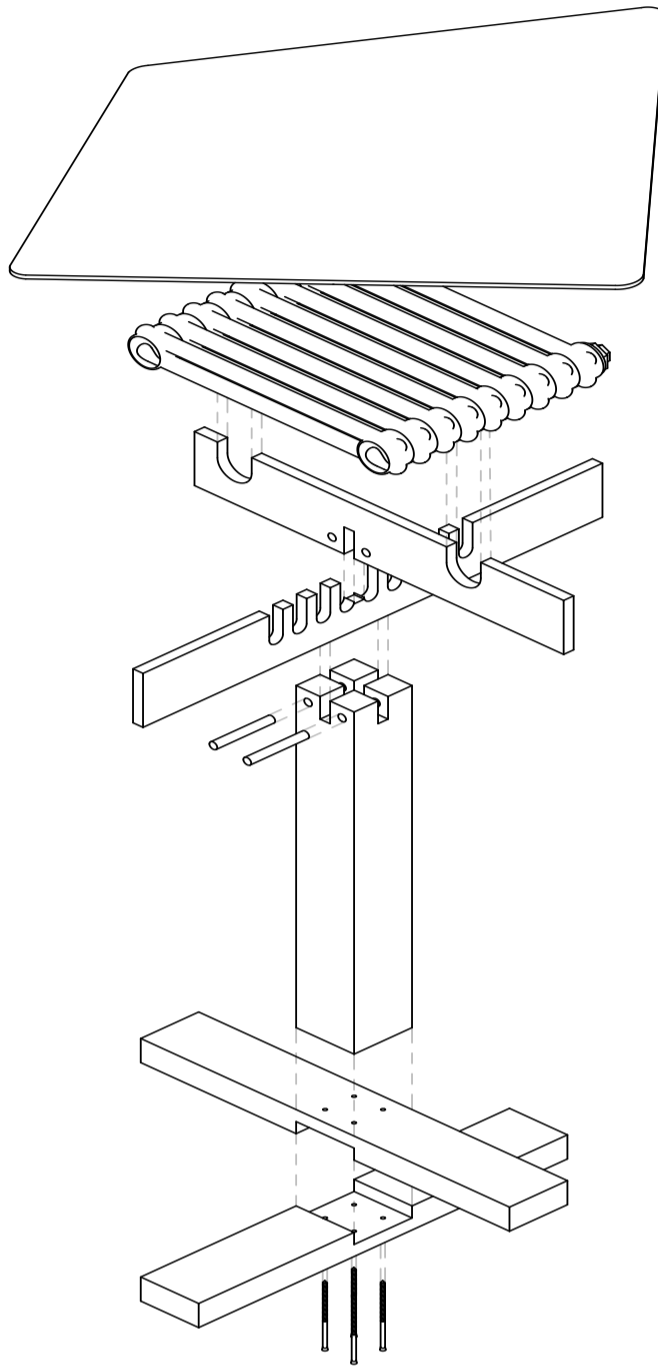


# Japan Studio 2023

Designing and Building with Unknown Performances of Elements



ComforTable: Lena Durdic, Leonie Füssler, Mark Lüscher, Michael Maurer, Audrey Man, Manuel Oberhofer, Lucija Ratkic, Ellen Stenzel

## Final Review + Exhibition Phase 3 “Construction of a Tea Room”

We warmly invite you to join us for the final review of the Japan Studio. It takes place on Tuesday, Dec. 19th, 2023, at 14:00h in Alumni Lounge, ETH Campus Hönggerberg. Students will present four installations composed of reclaimed materials and initiate a conversation about Japanese and Swiss cultures of circular economy.

Date:	Tuesday, December 19th
Time:	14:00 - 18:00
Location:	Alumni Lounge, ETH Hönggerberg
Guests:	Pascal Angehrn Federico Bertagna Federico Billeter Catherine De Wolf Sabrina Dinger Momoyo Kaijima Laurent Stalder

@japanstudio2023eth

